

MODEL 273

Single Phase Current Monitor

- Adjustable trip point
- Over or under current sensing
- 5 or 10 amp adjust range options
- Five year unconditional warranty



DESCRIPTION

The **Model 273** Single Phase Current Monitor is a single setpoint sensor. It can be used as either an over current or under current sensor, depending on the contacts used.

This device can directly monitor AC currents in the range of 0.5 to 5 amps; or 2 to 10 amps, 50 to 400Hz. Matching transformers are available to extend the use of the monitor to most any range. The current being monitored can be of any voltage, up to the rating of the socket. An LED indicator is provided to show when the relay is energized.

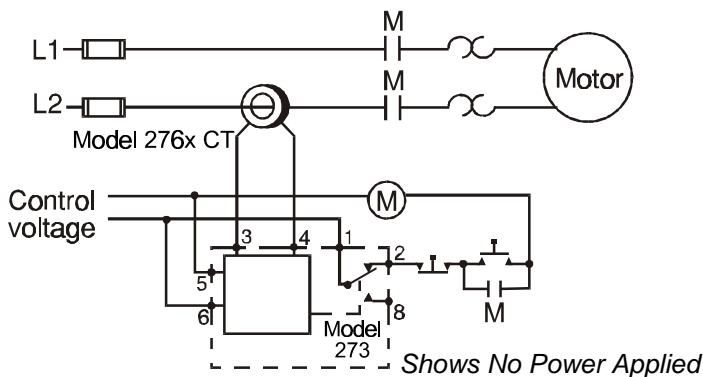
The Model 273 is available for either 24 VAC or 120 VAC supply voltages. Model 273-5 is UL Recognized and CSA Certified. All versions use a standard 8-pin socket.

SPECIFICATIONS

Model	273-X-XX
Current range	0.5 to 5 amps or 2 to 10 amps*
Supply voltage	24 VAC or 120 VAC
Power consumption	1 watt max
VA burden	Less than 0.5 VA
Frequency range	50-400 Hz
Repeat accuracy	1% max
Dead band	4% max
Reset	Automatic
Output contacts	SPDT 10A at 240 VAC resistive
Expected relay life	Mechanical: 10 million operations Electrical: 100,000 at rated load
Operating temperature	-40° to +131° F
Humidity tolerance	0 - 97% w/o condensation
Enclosure material	ABS plastic
Mounting	8-pin socket (**sold separately)
Weight	6.4 oz.
Agency approvals	273-5 is UL Recognized and CSA Certified * 273-10 has NO Agency approvals

** Order 8-pin socket number 51X120

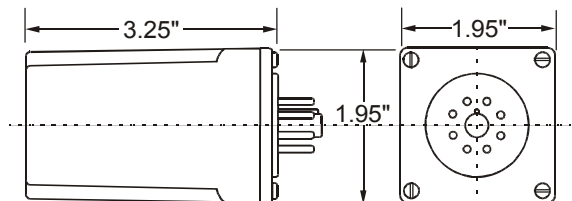
APPLICATION: Typical Over-current sensing



ORDERING INFORMATION

SPECIFY: Model - Current - Oper Voltage: **273-5-120**

DIMENSIONS



Telephone: Main - (918) 438-1220
Sales - (800) 862-2875
Fax: (918) 437-7584

E-mail: sales@time-mark.com
Internet: http://www.time-mark.com



11440 East Pine Street
Tulsa, Oklahoma 74116
Doc No. 87A137 12/00
© 2000 TIME MARK CORPORATION

TIME MARK is a division of  **AEMT, Inc.**

MODEL 273

Single Phase Current Monitor

READ ALL INSTRUCTIONS BEFORE INSTALLING, OPERATING OR SERVICING THIS DEVICE.
KEEP THIS DATA SHEET FOR FUTURE REFERENCE.

GENERAL SAFETY

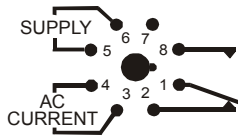
POTENTIALLY HAZARDOUS VOLTAGES ARE PRESENT AT THE TERMINALS OF THE MODEL 273.
ALL ELECTRICAL POWER SHOULD BE REMOVED WHEN CONNECTING OR DISCONNECTING WIRING.
THIS DEVICE SHOULD BE INSTALLED AND SERVICED BY QUALIFIED PERSONNEL.

Installation Instructions

INSTALLATION

Using the Model 273 base diagram, pictured on the unit (contacts shown in the de-energized condition), connect operating voltage and current input wiring to the socket.

PIN DRAWING



ADJUSTMENT SETTINGS

The output contacts used will depend on whether the Model 273 is applied to detect over current, under current, to shut off a load, or trip an alarm.

The internal relay will energize when the input current rises above the **Current Adjust** setting. This allows the unit to be set to detect over-current (*relay will energize on fault*). The LED indicator will illuminate whenever the relay is energized.

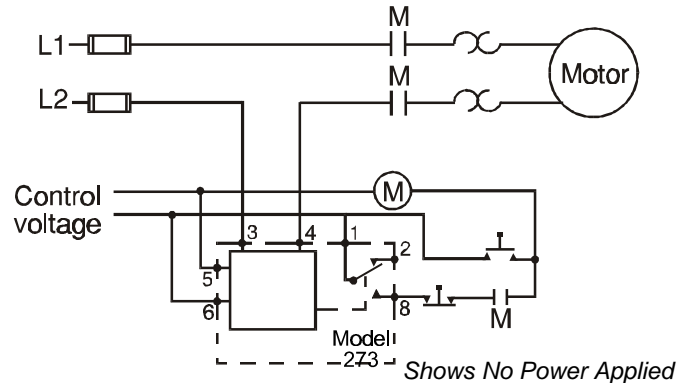
Apply normal operating current, then adjust the Model 273 Monitor until the relay just trips or resets, depending on the application. This will result in the unit tripping on relatively small current changes.

WARNING

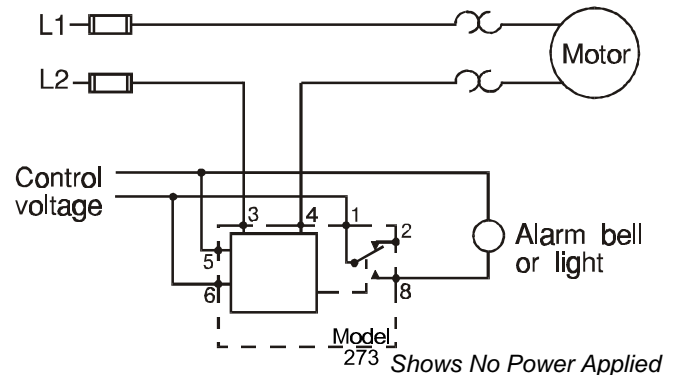
IN APPLICATIONS WHERE VOLTAGES IN EXCESS OF 300 VAC ARE TO BE MONITORED, BE CERTAIN TO USE THE TIME MARK MODEL 51X120 8-PIN SOCKET, OR AN EQUIVALENT UL APPROVED 600 VAC RATED SOCKET.

NOTE: When installing the Model 273 Current Monitor in areas of high humidity or contamination, it is recommended that the base area and all exposed metal parts of the socket be coated liberally with a good quality silicon grease, such as Dow Corning DC-4 or DC-4X. Insert the unit into the socket and wipe off excess grease around the base. This will prevent the entrance of moisture and other

APPLICATION: Typical Under-current sensing



APPLICATION: Typical Over-current Alarm



TROUBLESHOOTING

Should the Model 273 Monitor fail to operate properly, check all connections to the monitor, and to the control circuits. Verify that the proper voltage and currents are present, and check all fuses.

WARRANTY

The Model 273 Single Phase Current Monitor is warranted to be free from defects in materials and workmanship, and is covered by our exclusive **5-Year Unconditional Warranty**. If this device fails to operate, for any reason, we will repair or replace it, free, for five years from the date of purchase. Contact the Time Mark Sales department, Monday through Friday; 8 a.m. to 5 p.m., CST, for further details.

Telephone: Main - (918) 438-1220
Sales - (800) 862-2875
Fax: (918) 437-7584

E-mail: sales@time-mark.com
Internet: http://www.time-mark.com



11440 East Pine Street
Tulsa, Oklahoma 74116

Doc No. 87A137 12/00
© 2000 TIME MARK CORPORATION

TIME MARK is a division of  AEMT, Inc.